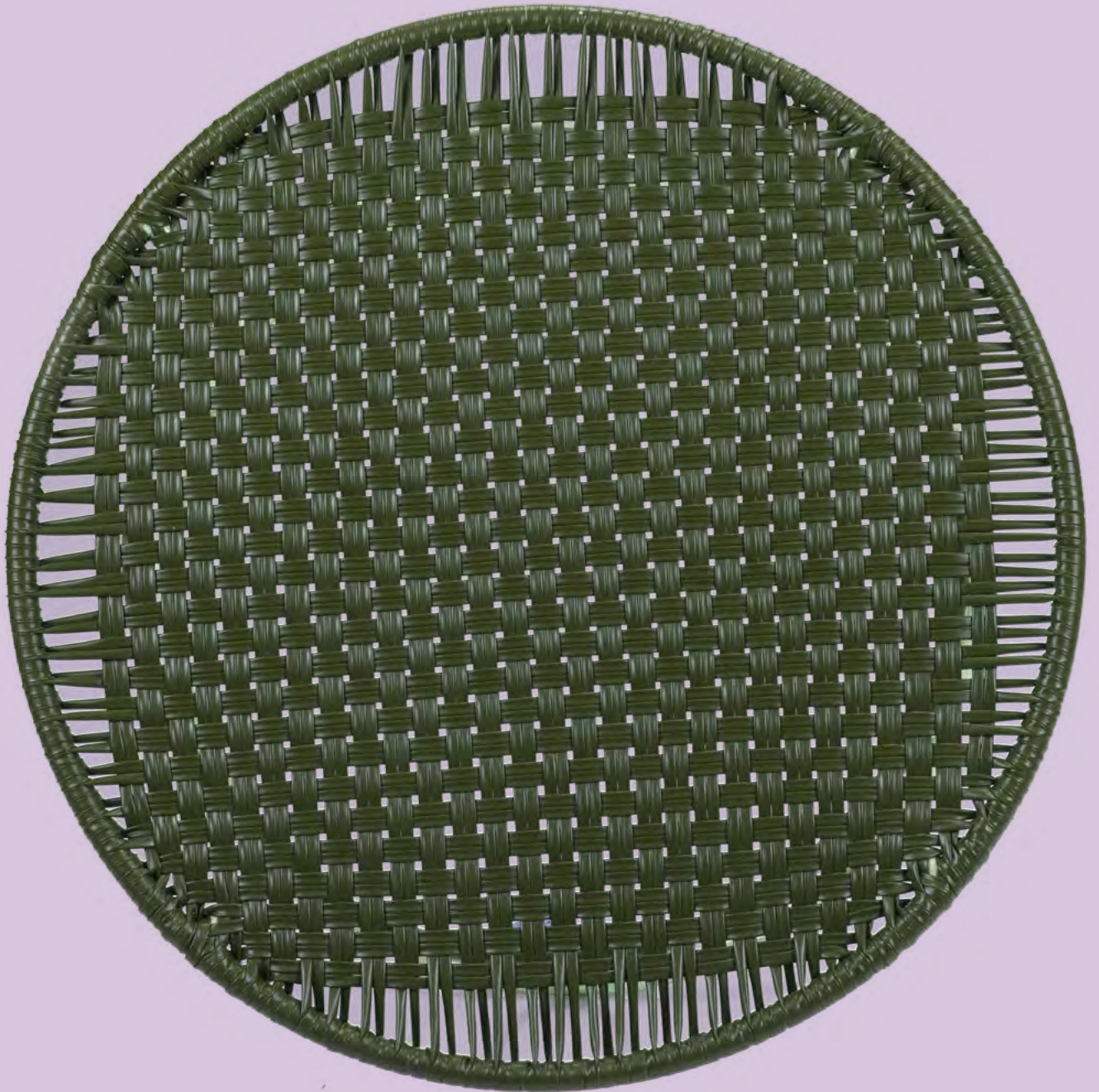


CIRCO Side Table



ames

CIRCO

Side Table



Product type
Side Table

Materials
Galvanized and powder coated tubular steel,
PVC strings made from recycled plastic

Colours
olive green/pastel green
honey yellow/yellow
red/pink sand
matt black/black

Country of origin
Colombia

Place of use
Commercial and
Residential

Environment
Indoor and outdoor

Customise product
Please contact
shop@amesliving.de
for bespoke version

Design and inspiration

Featuring gentle curves and intricate webbing, the Circo Side Table adds a touch of uplifting elegance to any lounge setting or sofa arrangement. Sebastian Herkner came up with the design of the lightweight side table after learning about the traditional travelling circuses of Colombia. Inspired by the quirky tents and the flamboyant costumes of the artists, he developed this series of chairs and tables in cheerful colours. The table combines an intricate woven tabletop with a powder-coated steel frame in matching or contrasting shades.

About the designer

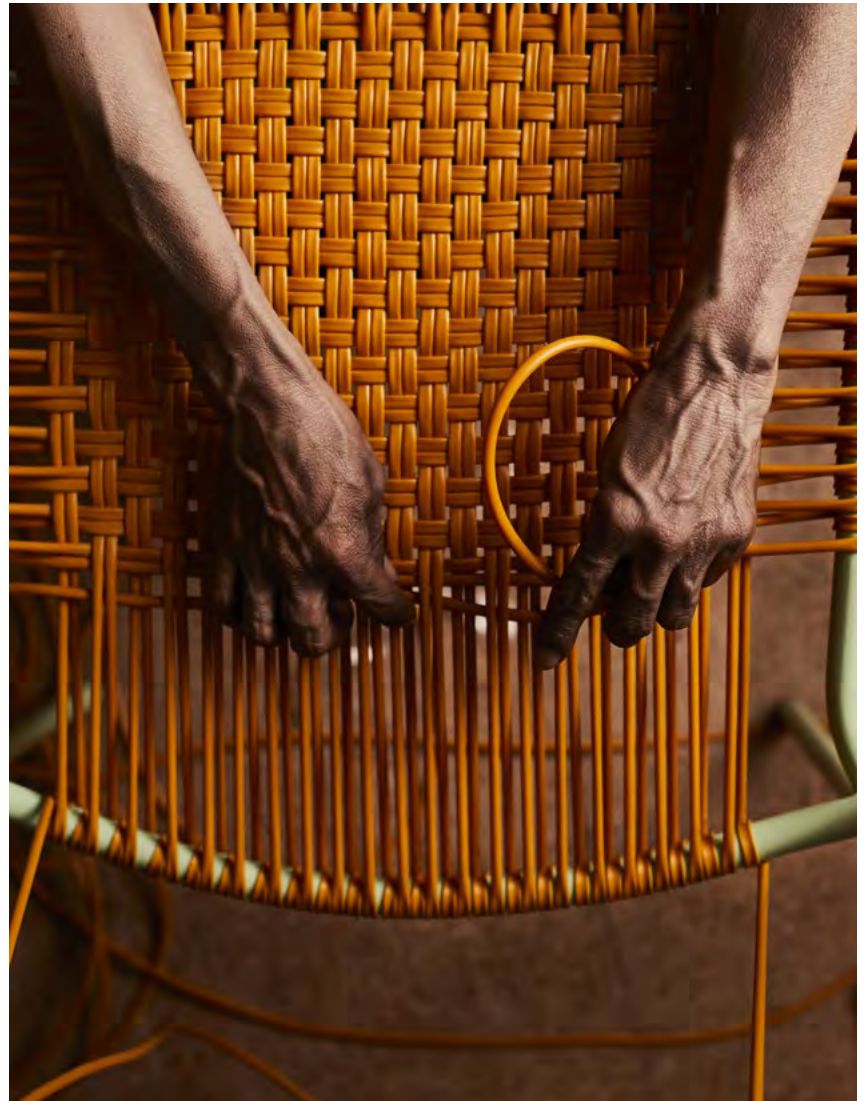
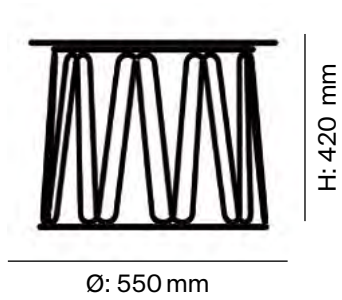
German designer Sebastian Herkner is a long-term collaborator of ames and has visited Colombia multiple times to experience the country's cities, nature and people first hand. He also visited many of the ateliers that ames has partnered with to learn about the unique traditional crafts of Colombia's regions. A sought-after contemporary designer and recipient of many industry awards, he has worked with many international design brands, creating intriguing pieces that showcase his intuition for interesting material, colour and texture combinations.

CIRCO Side Table



CIRCO Side Table

Technical Specifications



Dimensions (mm)

Height: 420

Ø: 550

Packaging dimensions

(H x W x D) (mm)

538 x 538 x 550

Item weight (kg)

8

Craft and manufacturing

Each table is made in Santa Marta, a city on the Caribbean coast of Colombia, by local craftspeople. The steel frame is fire galvanised to protect the material from rust and corrosion by bathing it in molten zinc. Afterwards, the frame is powder coated with a coloured lacquer. The weaving of the table top is done by hand, using the traditional Momposino method. Just the preparation of all the materials takes 20 days, while the production of each table takes two days.

Care instructions

Wipe clean with a damp cloth (do not use scratchy materials like a steel scourer) and gentle soap. You can also hose them down with water. To protect the colours, avoid exposing the product to direct sunlight over long periods and store indoors during winter. Fitted cover sold separately. If the product is exposed to sea air, wipe the frame regularly with a damp cloth.

CIRCO

Side Table



olive green/pastel green
00ACIST-A



honey yellow/yellow
00ACIST-B



red/pink sand
00ACIST-C



matt black/black
00ACIST-D