

# CARTAGENAS Reina Cocoon Chair



**ames**  
vibrant living

# CARTAGENAS

## Reina Cocoon Chair



### Product type

Reina Chair

### Materials

Galvanized and powder coated tubular steel, PVC strings made from recycled plastic

### Colours

black/black/black  
coral/caramel brown/black  
purple/pastel blue/black  
purple/olive green/black  
lilac/honey yellow/black

### Country of origin

Colombia

### Place of use

Commercial and  
Residential

### Environment

Indoor and outdoor

### Customise product

Please contact  
shop@amesliving.de  
for bespoke version

### Design and inspiration

A new dramatic statement piece joins the Cartagenas collection by Sebastian Herkner: the Reina Cocoon chair. Featuring a strong colour contrast and an oval-shaped, protective roof, the chair brings vibrancy and a touch of eccentricity to any outdoor space. Part throne, part beach chair, the piece will stand out on any poolside terrace, balcony or in the garden. 'Its unique character and bold colours make Reina a stunning eye-catcher', Sebastian says about his creation. This collection is an ode to Cartagena, the lively coastal metropolis on Colombia's Caribbean coast, a melting-pot, where Colombia's diverse ethnic communities live side-by-side, creating a city landscape where various cultural backgrounds merge with each other. 'The Reina cocoon chair works as a stand-alone accent piece. It's a perfect place for escaping and relaxing by oneself. By combining multiple models to a seating group, you can create an enticing setting for engaged conversations', he adds. The chair's name, Reina (Spanish for 'queen'), is another tribute to the city of Cartagena. In November, during the Fiestas Novembrinas, the people of Cartagena celebrate the country's independence with a lively carnival, parading the statues of pre-colonial Kings and Queens through the streets. The cocoon chair is available in five colour variations, including contrasting and monochrome versions.

### About the designer

German designer Sebastian Herkner is a long-term collaborator of ames and has visited Colombia multiple times to experience the country's cities, nature and people first hand. He also visited many of the ateliers that ames has partnered with to learn about the unique traditional crafts of Colombia's regions. A sought-after contemporary designer and recipient of many industry awards, he has worked with many international design brands, creating intriguing pieces that showcase his intuition for interesting material, colour and texture combinations.

# CARTAGENAS

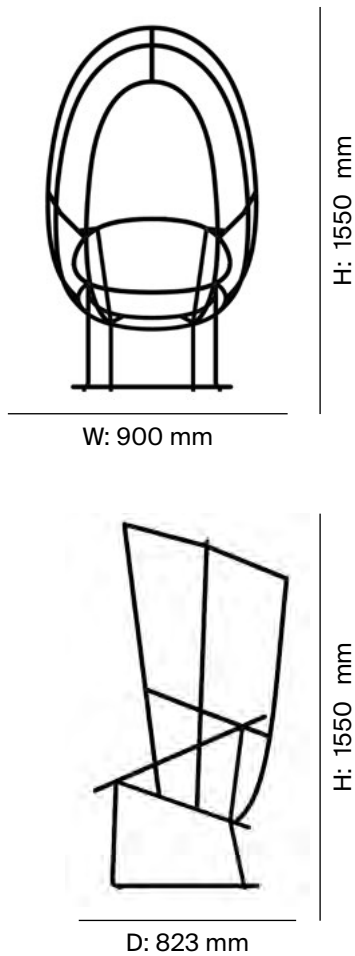
## Reina Cocoon Chair



# CARTAGENAS

## Reina Cocoon Chair

Technical Specifications



### Dimensions (mm)

Height: 1550  
Width: 900  
Depth: 823  
Seat height: 430

### Packaging dimensions

(H x W x D) (mm)  
2000 x 900 x 900

### Item weight (kg)

18

### Craft and manufacturing

Like the rest of the Cartagenas collection – which includes dining chairs, lounge chairs, small tables and dining tables – the cocoon chair's webbing is hand-woven in ames ateliers in Bogota, Colombia's capital. The skilled craftspeople work with coloured strings made from recycled PVC and tie them artfully around a steel frame. It takes them 35 days to complete one chair.

### Care instructions

Wipe clean with a damp cloth (do not use scratchy materials like a steel scourer) and gentle soap. You can also hose them down with water. To protect the colours, avoid exposing the product to direct sunlight over long periods and store indoors during winter. Fitted cover sold separately. If the product is exposed to sea air, wipe the frame regularly with a damp cloth.

# CARTAGENAS

## Reina Cocoon Chair



black/black/black  
00ACARCO-A



coral/caramel brown/black  
00ACARCO-B



purple/pastel blue/black  
00ACARCO-C



purple/olive green/black  
00ACARCO-D



lilac/honey yellow/black  
00ACARCO-E