

CARTAGENAS NATURAL Lounge Chair



ames
vibrant living

CARTAGENAS NATURAL Lounge Chair



Product type

Lounge Chair

Materials

Wicker from Yare lianas.
Galvanized and powder coated
tubular steel frame

Colours

raw natural/black
raw natural/yellow

Country of origin

Colombia

Place of use

Commercial and
Residential

Environment

Indoor

Customise product

Please contact
shop@amesliving.de
for bespoke version

Design and inspiration

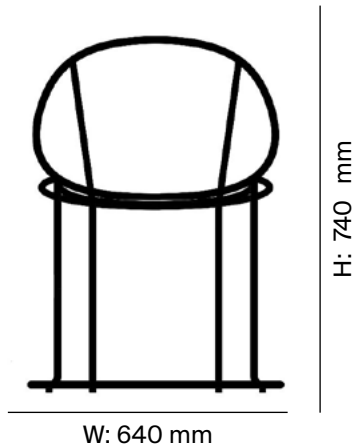
The sophisticated Cartagenas Lounge Chair, designed by Sebastian Herkner, now also comes with an alluring natural webbing woven with the fibres of the Yare liana. In its warm, bright beige, the chair's appearance is a touch more subtle compared to its colourful siblings. In Colombia, there's a long history of using lianas to craft the baskets for the arrieros, the coffee pickers, who use them to collect the beans on the plantations in the country's hinterlands. The colours and shape of the Cartagenas collection are inspired by Sebastian Herkner's visit to Colombia's buzzing coastal city Cartagena de Indias. "Fishing pelicans, women selling fruit, cosy restaurants: Cartagena lures you in with its many facets, and this collection also plays with perspectives," describes Sebastian the collection. The Cartagenas chair is also available in various colourful versions made with PVC-strings, plus a limited edition series. Matching Cartagenas side and coffee tables are also available.

About the designer

German designer Sebastian Herkner is a long-term collaborator of ames and has visited Colombia multiple times to experience the country's cities, nature and people first hand. He also visited many of the ateliers that ames has partnered with to learn about the unique traditional crafts of Colombia's regions. A sought-after contemporary designer and recipient of many industry awards, he has worked with many international design brands, creating intriguing pieces that showcase his intuition for interesting material, colour and texture combinations.

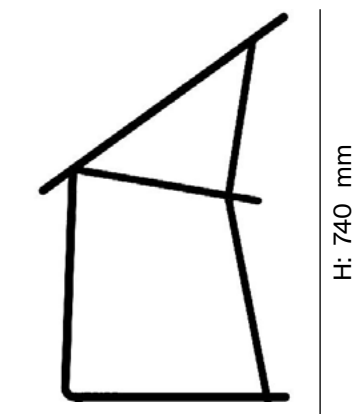
CARTAGENAS NATURAL Lounge Chair

Technical Specifications



W: 640 mm

H: 740 mm



W: 700 mm

H: 740 mm



Craft and manufacturing

All pieces of the Cartagenas Natural collection are made in our ateliers, where members of different generations of families have become masters in the traditional Colombian craft of weaving the bejuco and wicker. These workshops are located in Bogota, the country's capital, and also in Quindio, the coffee-growing province. The material used to create the webbing is called Yare, a liana plant that only grows on old, majestic trees in Colombia's rainforests, where the temperature averages 28 degrees throughout the year. It requires special skills to harvest and process the lianas into strings that the artesanos can use to weave the Cartagenas pieces. Only lianas with roots reaching the ground can be cut. With the continuing deforestation in Colombia, finding such old specimens is increasingly difficult. After harvesting a Yare liana by hand, it is cooked in salt water for about two hours. This process lightens the colour of the lianas and softens the barks, making them easier for the workers to remove. The liana roots are then hung up to dry in the sun for two days. In the next step, the craftspeople cut the lianas with a sharp knife into thinner strips. Depending on the size of the product, this ranges from two to four strips. These strips can then be used by the weavers, who traditionally would create baskets with them. For ames, the artisans use Yare to make contemporary furniture pieces like the Cartagenas Natural chairs and tables.

Care instructions

Wipe clean with a dry cloth, do not use chemical cleaners on the webbing. To protect the colours, avoid exposing the product to direct sunlight over long periods. Protect the product with a cover or store it indoors during winter or harsh weather conditions. If the product is exposed to sea air, wipe the metal frame regularly with a damp cloth. Fitted cover sold separately.

Dimensions (mm)

Height: 740
Width: 640
Depth: 700
Seat height: 420

Packaging dimensions

(H x W x D) (mm)
800 x 800 x 850

Item weight (kg)

12

CARTAGENAS NATURAL Lounge Chair



raw natural/black
00ACARLCN-B