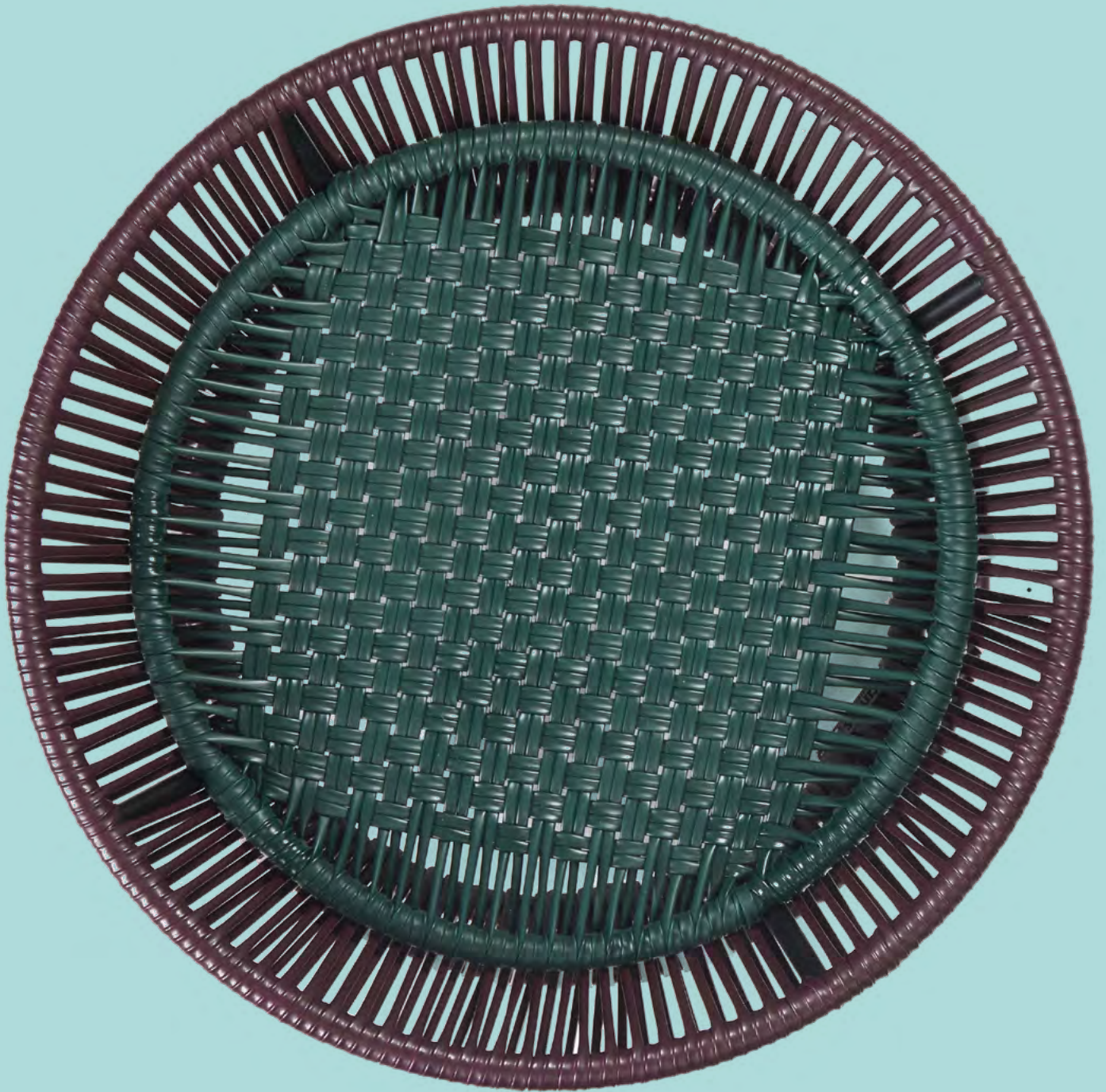


# CARIBE CHIC Basket Table



ames

# CARIBE CHIC

## Basket Table



### Product type

Basket Table

### Materials

Galvanized and powder coated tubular steel, PVC strings made from recycled plastic

### Colours

moss green/copper/black  
dark blue/copper/black  
black red/moss green/black  
black red/copper/black  
copper/black red/black  
moss green/dark blue/black  
black red/moss green/copper  
moss green/dark blue/copper

### Country of origin

Colombia

### Place of use

Commercial and Residential

### Environment

Indoor and outdoor

### Customise product

Please contact  
shop@amesliving.de  
for bespoke version

### Design and inspiration

The Caribe Chic Basket Table is an elegant design by Sebastian Herkner and can be used inside and outdoors. It's part of our Caribe Chic collection, featuring an intricate hand-woven webbing in contrasting earthy, muted shades. The pieces and colours are inspired by the incredible nature of the Colombian Huila region where the serene Tatacoa desert meets the powerful Rio Magdalena.

### About the designer

German designer Sebastian Herkner is a long-term collaborator of ames and has visited Colombia multiple times to experience the country's cities, nature and people first hand. He also visited many of the ateliers that ames has partnered with to learn about the unique traditional crafts of Colombia's regions. A sought-after contemporary designer and recipient of many industry awards, he has worked with many international design brands, creating intriguing pieces that showcase his intuition for interesting material, colour and texture combinations.

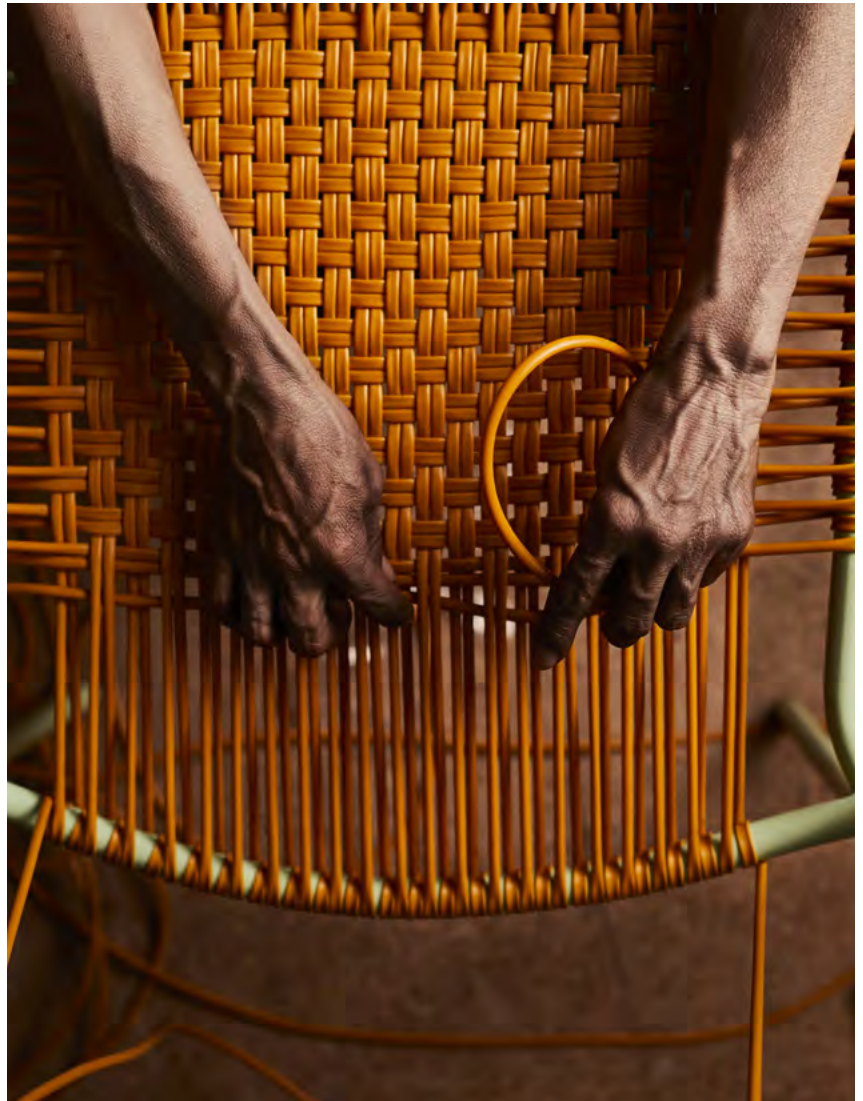
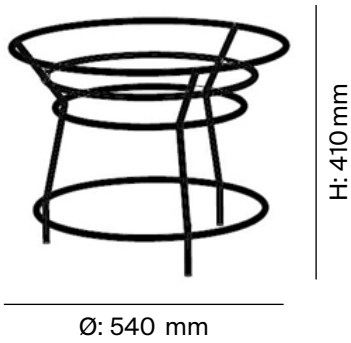
# CARIBE CHIC

## Basket Table



# CARIBE CHIC Basket Table

## Technical Specifications



### Dimensions (mm)

Height: 410

Ø: 540

### Packaging dimensions

(H x W x D) (mm)

538 x 538 x 550

### Item weight (kg)

4

### Craft and manufacturing

Each table is made in Santa Marta, a city on the Caribbean coast of Colombia, by local craftspeople. They weave the PVC strings, which are made from recycled plastic, around a powder coated tubular steel frame. The weaving technique the artesanos and artesanas use is called Momposino, a traditional method known for intricate patterns. Just the preparation of all the materials takes ten days, while the production of each table takes two days.

### Care instructions

Wipe clean with a damp cloth (do not use scratchy materials like a steel scourer) and gentle soap. You can also hose them down with water. To protect the colours, avoid exposing the product to direct sunlight over long periods and store indoors during winter. Fitted cover sold separately. If the product is exposed to sea air, wipe the frame regularly with a damp cloth.

# CARIBE CHIC Basket Table



moss green/copper/black  
01ACABT-I



dark blue/copper/black  
01ACABT-J



black red/moss green/black  
01ACABT-M



black red/copper/black  
01ACABT-N



copper/black red/black  
01ACABT-O



moss green/dark blue/black  
01ACABT-P



black red/moss green/copper  
01ACABT-Q



moss green/dark blue/copper  
01ACABT-R